



luxor

DESIGN
RODOLFO
DORDONI

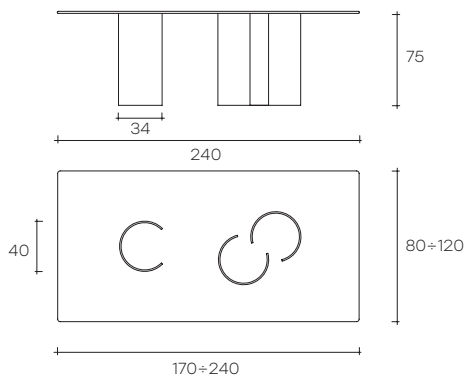
modello registrato
registered model

portata sul piano: 150 kg
load capacity on the top: 150 kg

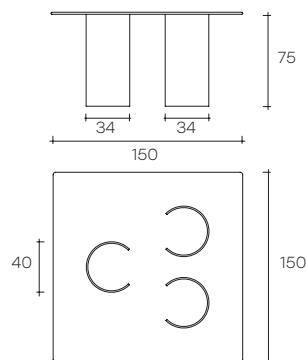
Tavolo con piano in vetro fumé o bronzo stratificato da 8+8 mm finitura filo lucido tondo, disponibile anche in vetro temperato trasparente o extralight. A seconda della misura e della configurazione desiderata base composta da 2, 3 o 4 cilindri (Ø 40 cm) in vetro da 10 mm, disponibile fumé, bronzo trasparente o extralight. Disponibile anche con piani a misura.

Dining table with layered glass top 8+8 mm-thick brilliant polished rim, in smoked or bronze glass also available in tempered glass, transparent or extralight. 10 mm-thick curved glass base, composed of 2, 3 or 4 cylinders (Ø 40 cm) depending upon the size and the shape requested. Bases are available in smoked glass, bronze glass, transparent glass or extralight glass. Custom size top available on request.

PIANO RETTANGOLARE RECTANGULAR TOP



PIANO QUADRATO SQUARE TOP



dimensioni L, P, H
dimensions L, W, H
(cm)

COD./CODE

L

P/W

H

peso netto
net weight
(kg)

peso lordo
gross weight
(kg)

volume imballo
package volume
(m³)

COMPOSIZIONI SUGGERITE SUGGESTED COMPOSITIONS

3 basi in vetro bronzo, piano in vetrobronzo 8+8 mm. <i>3 bases bronze glass, bronze glass top 8+8 mm thick.</i>	1972/B	240	120	75	171	220	0,86
3 basi in vetro fumé, piano in vetro fumé 8+8 mm. <i>3 bases smoked glass, smoked glass top 8+8 mm thick.</i>	1951	150	150	75	145	170	0,78
3 basi in vetro extralight, piano in vetro extralight spessore 15 mm. <i>3 bases extralight glass, extralight glass top 15 mm thick.</i>	1942	220	110	75	145	175	0,70



dimensioni L, P, H dimensions L, W, H (cm)	COD./CODE	L	P/W	H	peso netto net weight (kg)	peso lordo gross weight (kg)	volume imballo package volume (m ³)
1 base in vetro trasparente 10 mm. <i>1 base in transparent glass 10 mm.</i>	1940	40	-	73	18	30	0,19
1 base in vetro fumé 10 mm. <i>1 base in smoked glass 10 mm.</i>	1950	40	-	73	18	30	0,19
1 base in vetro bronzo 10 mm. <i>1 base in bronze glass 10 mm.</i>	1960	40	-	73	18	30	0,19
1 base in vetro NERO 95 10 mm. <i>1 base in BLACK 95 glass 10 mm.</i>	1940/ N95	40	-	73	18	30	0,19
1 base in vetro extralight 10 mm. <i>1 base in extralight glass 10 mm.</i>	1940/X	40	-	73	18	30	0,19
1 base in vetro extralight retro verniciato bianco 10 mm. <i>1 base in extralight white back-painted glass 10 mm.</i>	1940/B	40	-	73	18	30	0,19
1 base in vetro extralight retro argentato e verniciato bianco 10 mm. <i>1 base in extralight glass back-silvered and white stained 10 mm.</i>	1940/BS	40	-	73	18	30	0,19