

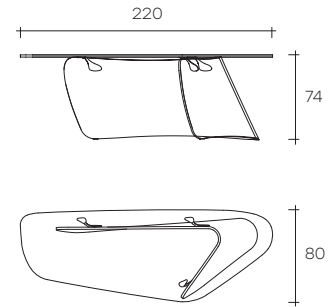


graph

DESIGN
XAVIER LUST

modello registrato
registered model

portata sul piano: 100 kg
load capacity on top: 100 kg



Scrivania composta da base in vetro trasparente curvato da 19 mm e piano in vetro trasparente da 15 mm temperato con piastre di aggancio in acciaio inox.

Desk comprising base in 19 mm-thick curved transparent glass and 15 mm-thick tempered transparent glass top with stainless steel connecting plates.

dimensioni L, P, H
dimensions L, W, H
(cm)

COD./CODE

L

P/W

H

peso netto
net weight
(kg)

peso lordo
gross weight
(kg)

volume imballo
package volume
(m³)

Piano e basi in vetro trasparente.
Top and bases in transparent glass.

2280

220

80

74

125

180

1,62

2591

250

91

74

141

200

1,70

FINITURE VETRO DISPONIBILI
AVAILABLE GLASS FINISH

SPESSORE TOP/BASE
THICKNESS TOP/BASE

Vetro extralight
Extralight glass

15/19 mm

Vetro extralight retrolaccato RAL*
Extralight RAL back-lacquered glass*

15/19 mm

***Parti metalliche a vista.**

***Metal details in view.**