



echo

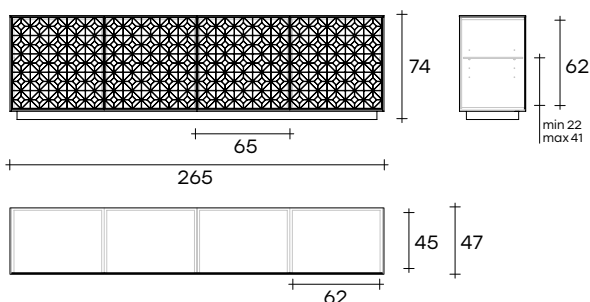
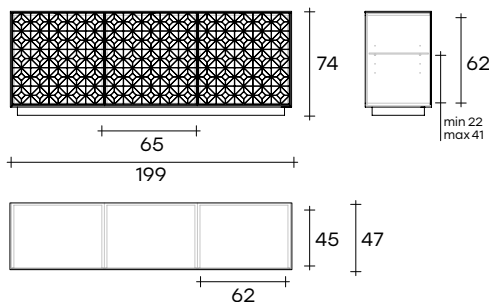
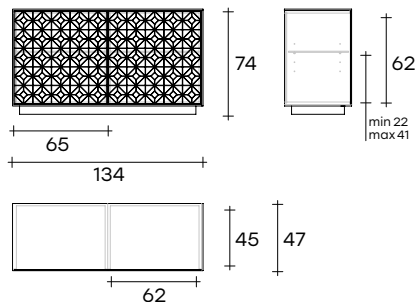
DESIGN MARCEL
WANDERS STUDIO

modello registrato
registered model

portata su ogni piano: 20 kg
portata sul top: 30 kg
load capacity on each shelf: 20 kg
load capacity on the top: 30 kg

Madia con struttura in legno laccato bianco opaco, grigio vulcano, oppure Greige Metallizzato. Ante in vetro da 6 mm temperato, fuso oppure liscio, disponibili nelle seguenti finiture: vetro extralight retroverniciato bianco, grigio vulcano, oppure retroargentato; vetro bronzo retroargentato. Ripiani interni in vetro fumè da 8 mm temperato.

Cupboard with wooden lacquered structure in matt white, vulcan grey or Metallic Greige finish. Doors in 6 mm thick tempered glass, fused or flat, available in the following finishes: extralight back lacquered white, vulcan grey or back silvered glass; back silvered bronze glass. Inner shelves in 8 mm thick tempered smoke glass.



dimensioni L, P, H
dimensions L, W, H
(cm)

Madia con ante in vetro liscio retroverniciato o retroargentato.
Cupboard with flat glass doors, back-painted or back-silvered.

| | COD./CODE | L | P/W | H | peso netto net weight (kg) | peso lordo gross weight (kg) | volume imballo package volume (m ³) |
|--|-----------|-----|-----|----|----------------------------------|------------------------------------|---|
| | ECM134... | 134 | 47 | 74 | 76 | 120 | 0,95 |
| | ECM199... | 199 | 47 | 74 | 111 | 157 | 1,22 |
| | ECM265... | 265 | 47 | 74 | 135 | 183 | 1,53 |
| Madia con ante in vetro fuso retroverniciato o retroargentato. <i>Cupboard with fused glass doors, back-painted or back-silvered.</i> | ECM134... | 134 | 47 | 74 | 76 | 120 | 0,95 |
| | ECM199... | 199 | 47 | 74 | 111 | 157 | 1,22 |
| | ECM265... | 265 | 47 | 74 | 135 | 183 | 1,53 |

CODICE STRUTTURA _ CODE STRUCTURE
COLORE LACCATURA _ LAQUERING COLORS

| | | |
|------------------------|--------------------------------------|---|
| Bianco <i>White</i> | Grigio vulcano <i>Vulcan grey</i> | Greige metallizzato <i>Metallic Greige</i> |
| B/ | VU/ | GM/ |

CODICE ANTE _ DOORS CODE

| COLORE RETROVERNICIATURA BACK-PAINTING COLORS | TIPO DI VETRO _ TYPE OF GLASS | | | |
|--|---|-------------------------------------|--|--|
| | Vetro extralight <i>Extralight glass</i> | Vetro bronzo <i>Bronze glass</i> | Vetro extralight fuso <i>Extralight fused glass</i> | Vetro bronzo fuso <i>Bronze fused glass</i> |
| Bianco <i>White</i> | VX-B | | VXF-B | |
| Grigio Vulcano <i>Vulcan Grey</i> | VX-VU | | VXF-VU | |
| Argentato <i>Silvered</i> | VX-AR | VB-AR | VXF-AR | VBF-AR |

FINITURE (alcune tra le possibili combinazioni)
FINISHES (here is a selection of all the possible configurations)

Struttura in finitura grigio vulcano
Vulcan grey finish structure



ante in vetro extralight liscio
 retroverniciato grigio vulcano
 flat extralight glass doors,
 vulcan grey back-painted



ante in vetro extralight liscio
 retroverniciato grigio vulcano
 flat extralight glass doors,
 vulcan grey back-painted



ante in vetro extralight fuso
 e retroargentato
 fused and back-silvered
 extralight glass doors

Struttura in finitura bianco opaco
Matt white finish structure



ante in vetro extralight liscio
 retroverniciato bianco
 flat extralight glass doors,
 white back-painted



ante in vetro extralight fuso
 e retroverniciato bianco
 fused extralight glass doors,
 white back-painted



ante in vetro extralight fuso
 e retroargentato
 fused and back-silvered
 extralight glass doors

Struttura in finitura greige metallizzato
Metallic greige finish structure



ante in vetro bronzo liscio
 e retroargentato
 flat back-silvered
 bronze glass doors



ante in vetro bronzo fuso
 e retroargentato
 fused and back-silvered
 bronze glass doors