



luxor

DESIGN
RODOLFO
DORDONI

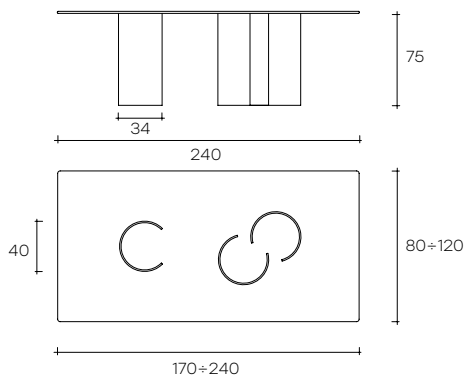
modello registrato
registered model

portata sul piano: 150 kg
load capacity on the top: 150 kg

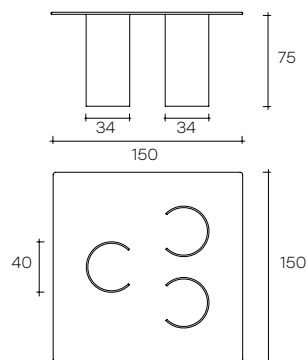
Tavolo con piano in vetro fumé o bronzo stratificato da 8+8 mm finitura filo lucido tondo, disponibile anche in vetro temperato trasparente o extralight. A seconda della misura e della configurazione desiderata base composta da 2, 3 o 4 cilindri (Ø 40 cm) in vetro da 10 mm, disponibile fumé, bronzo trasparente o extralight. Disponibile anche con piani a misura.

Dining table with layered glass top 8+8 mm-thick brilliant polished rim, in smoked or bronze glass also available in tempered glass, transparent or extralight. 10 mm-thick curved glass base, composed of 2, 3 or 4 cylinders (Ø 40 cm) depending upon the size and the shape requested. Bases are available in smoked glass, bronze glass, transparent glass or extralight glass. Custom size top available on request.

PIANO RETTANGOLARE RECTANGULAR TOP



PIANO QUADRATO SQUARE TOP



dimensioni L, P, H
dimensions L, W, H
(cm)

COD./CODE

L

P/W

H

peso netto
net weight
(kg)

peso lordo
gross weight
(kg)

volume imballo
package volume
(m³)

COMPOSIZIONI SUGGERITE SUGGESTED COMPOSITIONS

3 basi in vetro bronzo,
piano in vetrobronzo 8+8 mm.
*3 bases bronze glass,
bronze glass top 8+8 mm thick.*

1972/B

240

120

75

171

220

0,86

3 basi in vetro fumé,
piano in vetro fumé 8+8 mm.
*3 bases smoked glass,
smoked glass top 8+8 mm thick.*

1951

150

150

75

145

170

0,78

3 basi in vetro extralight, piano
in vetro extralight spessore 15 mm.
*3 bases extralight glass,
extralight glass top 15 mm thick.*

1942

220

110

75

145

175

0,70



dimensioni L, P, H <i>dimensions L, W, H</i> (cm)	COD./CODE	L	P/W	H	peso netto <i>net weight</i> (kg)	peso lordo <i>gross weight</i> (kg)	volume imballo <i>package volume</i> (m ³)
1 base in vetro trasparente 10 mm. <i>1 base in transparent glass 10 mm.</i>	1940	40	-	73	18	30	0,19
1 base in vetro fumé 10 mm. <i>1 base in smoked glass 10 mm.</i>	1950	40	-	73	18	30	0,19
1 base in vetro bronzo 10 mm. <i>1 base in bronze glass 10 mm.</i>	1960	40	-	73	18	30	0,19
1 base in vetro NERO 95 10 mm. <i>1 base in BLACK 95 glass 10 mm.</i>	1940/ N95	40	-	73	18	30	0,19
1 base in vetro extralight 10 mm. <i>1 base in extralight glass 10 mm.</i>	1940/X	40	-	73	18	30	0,19

Gambe con altezza su richiesta: minimo H30 cm - massimo H 110cm

Custom height legs: min H30 cm – Max H 110 cm



tavoli su misura customized tables

BASI _ BASES



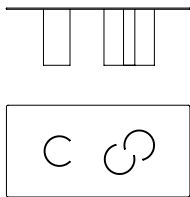
luxor

DESIGN
RODOLFO
DORDONI

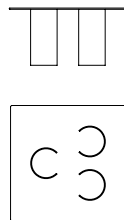
modello registrato
registered model

basi necessarie: a partire da 2 a seconda
delle dimensioni del piano.
required bases: from 2, depending on the top size.

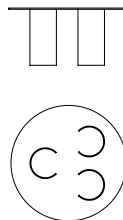
PIANO RETTANGOLARE RECTANGULAR TOP



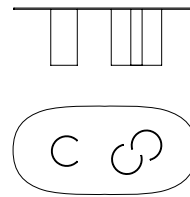
PIANO QUADRATO SQUARE TOP



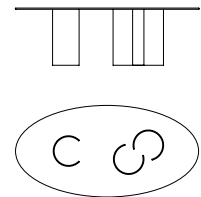
PIANO ROTONDO ROUND TOP



PIANO OVALE OVAL TOP



PIANO ELLITTICO ELLIPTICAL TOP



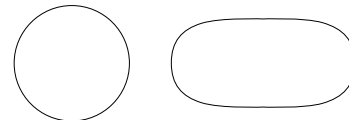
PIANI _ TOPS

FORME SHAPES

Rettangolare/Quadrato.
Rectangular/Square.



Rotondo/Ovale.
Round/Oval.



Ellittico.
Elliptical.



Dimensioni massime con 2 basi
Maximum dimensions with 2 bases

170 x 80

80 x 80

Ø 80

170 x 80

170 x 80

Dimensioni massime con 3 basi
Maximum dimensions with 3 bases

240 x 120

150 x 150

Ø 160

240 x 120

240 x 120

Per misure superiori sono necessarie almeno 4 basi. _ For bigger dimensions 4 or more bases required.

Peso massimo lavorabile: 200 kg. Maximum workable weight: 200 kg	SPESSORE VETRO GLASS THICKNESS mm	Kg/mq Kg/Sqm
	10	25
12	30	
15	37,5	
19	47,5	
8+8	40	