



epsylon

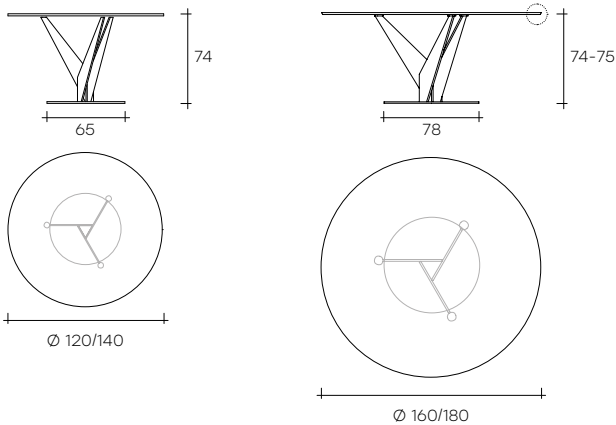
DESIGN
FABIO DI BARTOLOMEI



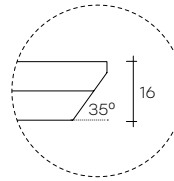
portata sul piano: 150 kg
load capacity on the top: 150 kg

Tavolo tondo con piano in vetro da 10 o 15 mm temperato, oppure da 16 mm stratificato. Base in metallo nuvolato oppure ottone brunito. Piastre di fissaggio in acciaio inox o in ottone. Il tavolo Epsilon è disponibile anche con piani su misura, diametro da 90 a 180 cm.

Round table with 10 mm-thick tempered glass top, or with 16mm layered glass top. Cloudy metal or burnished brass finish metal base; stainless steel or brass fixing plates. Epsilon table is also available with customized top, diameter from 90 cm to 180 cm.



PARTICOLARE BISELLATURA BEVEL DETAIL



dimensioni Ø, P, H
dimensions Ø, W, H
(cm)

	COD./CODE	Ø	P	H	peso netto net weight (kg)	peso lordo gross weight (kg)	volume imballo package volume (m³)
Base in metallo nuvolato, top in vetro trasparente da 10 mm temperato. <i>Cloudy metal finish base, 10 mm tempered transparent glass top.</i>	EPST120/ NU-TR	120	-	74	74	100	0,78
	EPST140/ NU-TR	140	-	74	84	112	0,85
Base in metallo nuvolato, top in vetro fumè da 10 mm temperato. <i>Cloudy metal finish base, 10 mm tempered smoked glass top.</i>	EPST120/ NU-FU	120	-	74	74	100	0,78
	EPST140/ NU-FU	140	-	74	84	112	0,85
Base in metallo nuvolato, top in vetro extralight da 10 mm temperato. <i>Cloudy metal finish base, 10 mm tempered extralight glass top.</i>	EPST120/ NU-EX	120	-	74	74	100	0,78
	EPST140/ NU-EX	140	-	74	84	112	0,85
Base in metallo nuvolato, top in vetro trasparente da 15 mm temperato. <i>Cloudy metal finish base, 15 mm tempered transparent glass top.</i>	EPST160/ NU-TR	160	-	74	168	224	1,23
	EPST180/ NU-TR	180	-	75	178	274	1,45
Base in metallo nuvolato, top in vetro extralight da 15 mm temperato. <i>Cloudy metal finish base, 15 mm tempered extralight glass top.</i>	EPST160/ NU-EX	160	-	75	168	224	1,23
	EPST180/ NU-EX	180	-	75	178	274	1,45
Base in metallo nuvolato, top in vetro fumè da 16 mm stratificato e bisellato. <i>Cloudy metal finish base, 16 mm layered smoked glass top, bevelled.</i>	EPST160/ NU-FU	160	-	75	173	249	1,23
	EPST180/ NU-FU	180	-	75	196	282	1,45
Base in ottone brunito, top in vetro trasparente da 10 mm temperato. <i>Burnished brass finish base, 10 mm tempered transparent glass top.</i>	EPST120/ OB-TR	120	-	75	74	100	0,78
	EPST140/ OB-TR	140	-	74	84	112	0,85



dimensioni L, P, H <i>dimensions L, W, H</i> (cm)	COD./CODE	L	P/W	H	peso netto <i>net weight</i> (kg)	peso lordo <i>gross weight</i> (kg)	volume imballo <i>package volume</i> (m ³)
Base in ottone brunito, top in vetro bronzo da 10 mm temperato. <i>Burnished brass finish base, 10 mm tempered bronze glass top.</i>	EPST120/ OB-BR	120	-	74	74	100	0,78
	EPST140/ OB-BR	140	-	74	84	112	0,85
Base in ottone brunito, top in vetro extralight da 10 mm temperato. <i>Burnished brass finish base, 10 mm tempered extralight glass top.</i>	EPST120/ OB-EX	120	-	74	74	100	0,78
	EPST140/ OB-EX	140	-	74	84	112	0,85
Base in ottone brunito, top in vetro trasparente da 15 mm temperato. <i>Burnished brass finish base, 15 mm tempered transparent glass top.</i>	EPST160/ OB-TR	160	-	75	168	244	1,23
	EPST180/ OB-TR	180	-	75	178	274	1,45
Base in ottone brunito, top in vetro extralight da 15 mm temperato. <i>Burnished brass finish base, 15 mm tempered extralight glass top.</i>	EPST160/ OB-EX	160	-	75	168	244	1,23
	EPST180/ OB-EX	180	-	75	178	274	1,45
Base in ottone brunito, top in vetro bronzo da 16 mm stratificato e bisellato. <i>Burnished brass finish base, 16 mm layered bronze glass top, bevelled.</i>	EPST160/ OB-BR	160	-	75	173	249	1,23
	EPST180/ OB-BR	180	-	75	196	282	1,45

**Il piano è realizzabile a richiesta con misure speciali comprese fra un diametro min di 90 cm e un diametro max 180 cm.
*The top can be provided custom made, sizes between a min diameter of 90 cm and a max diameter of 180 cm.***



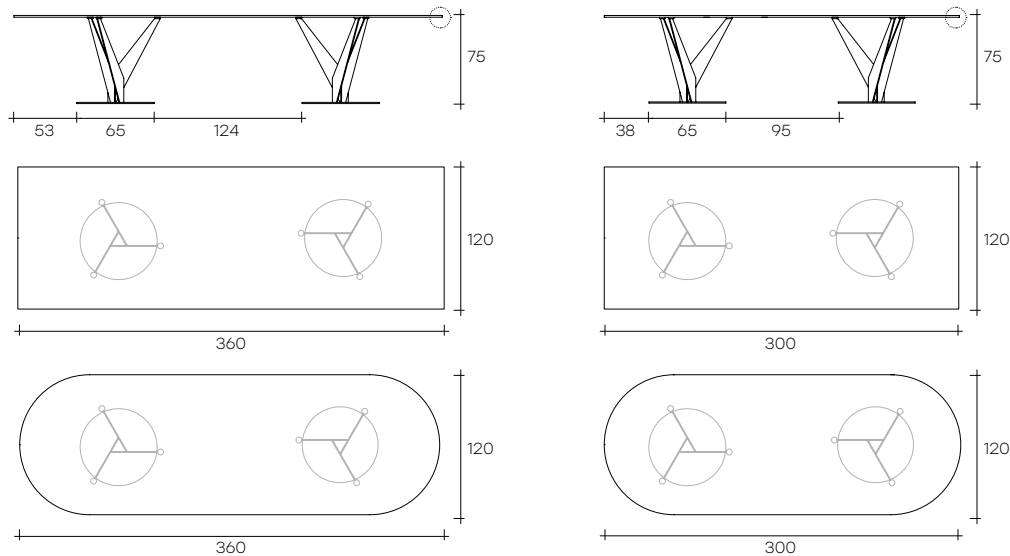
epsylon

DESIGN
FABIO DI BARTOLOMEI

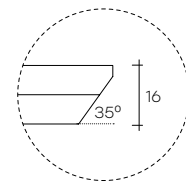
Tavolo con piano in vetro da 15 mm temperato, oppure da 16 mm stratificato. Doppia base in metallo nuvolato oppure ottone brunito. Piastre di fissaggio in acciaio inox o in ottone. Il tavolo Epsylon è disponibile anche con piani su misura.

Table with 15 mm-thick tempered glass top, or with 16mm layered glass top. Two metal bases in Cloudy metal or burnished brass finish; stainless steel or brass fixing plates. Epsylon table is also available with customized top.

portata sul piano: 200 kg
load capacity on the top: 200 kg



PARTICOLARE BISELLATURA BEVEL DETAIL



dimensioni L, P, H dimensions L, W, H (cm)	COD./CODE	L	P	H	peso netto net weight (kg)	peso lordo gross weight (kg)	volume imballo package volume (m ³)
Tavolo rettangolare con basi in metallo nuvolato, top in vetro trasparente da 15 mm temperato. <i>Rectangular table with cloudy metal finish bases, 15 mm tempered transparent glass top.</i>	EPSR300/NU-TR	300	120	75	236	305	1,57
	EPSR360/NU-TR	360	120	75	265	348	1,52
Tavolo ovale con basi in metallo nuvolato, top in vetro trasparente da 15 mm temperato. <i>Oval table with cloudy metal finish bases, 15 mm tempered transparent glass top.</i>	EPSO300/NU-TR	300	120	75	224	293	1,57
	EPSO360/NU-TR	360	120	75	254	324	1,52
Tavolo rettangolare con basi in metallo nuvolato, top in vetro extralight da 15 mm temperato. <i>Rectangular table with cloudy metal finish bases, 15 mm tempered extralight glass top.</i>	EPSR300/NU-EX	300	120	75	236	305	1,57
	EPSR360/NU-EX	360	120	75	265	348	1,52
Tavolo ovale con basi in metallo nuvolato, top in vetro extralight da 15 mm temperato. <i>Oval table with cloudy metal finish bases, 15 mm tempered extralight glass top.</i>	EPSO300/NU-EX	300	120	75	224	293	1,57
	EPSO360/NU-EX	360	120	75	254	324	1,52
Tavolo rettangolare con basi in metallo nuvolato, top in vetro fumè da 16 mm stratificato e bisellato. <i>Rectangular table with cloudy metal finish bases, 16 mm layered smoked glass top, bevelled.</i>	EPSR300/NU-FU	300	120	75	236	305	1,57
	EPSR360/NU-FU	360	120	75	265	348	1,52



dimensioni L, P, H <i>dimensions L, W, H</i> (cm)	COD./CODE	L	P/W	H	peso netto <i>net weight</i> (kg)	peso lordo <i>gross weight</i> (kg)	volume imballo <i>package volume</i> (m ³)
Tavolo ovale con basi in metallo nuvolato, top in vetro fumè da 16 mm stratificato e bisellato. <i>Oval table with cloudy metal finish bases, 16 mm layered smoked glass top, bevelled.</i>	EPSO300/ NU-FU	300	120	75	224	293	1,57
	EPSO360/ NU-FU	360	120	75	254	324	1,52
Tavolo rettangolare con basi in ottone brunito, top in vetro trasparente da 15 mm temperato. <i>Rectangular table with burnished brass finish bases, 15 mm tempered transparent glass top.</i>	EPSR300/ OB-TR	300	120	75	236	305	1,57
	EPSR360/ OB-TR	360	120	75	265	348	1,52
Tavolo ovale con basi in ottone brunito, top in vetro trasparente da 15 mm temperato. <i>Oval table with burnished brass finish bases, 15 mm tempered transparent glass top.</i>	EPSO300/ OB-TR	300	120	75	224	293	1,57
	EPSO360/ OB-TR	360	120	75	254	324	1,52
Tavolo rettangolare con basi in ottone brunito, top in vetro extralight da 15 mm temperato. <i>Rectangular table with burnished brass finish bases, 15 mm tempered extralight glass top.</i>	EPSR300/ OB-EX	300	120	75	236	305	1,57
	EPSR360/ OB-EX	360	120	75	265	348	1,52
Tavolo ovale con basi in ottone brunito, top in vetro extralight da 15 mm temperato e bisellato. <i>Oval table with burnished brass finish bases, 15 mm tempered extralight glass top, bevelled.</i>	EPSO300/ OB-EX	300	120	75	224	293	1,57
	EPSO360/ OB-EX	360	120	75	254	324	1,52
Tavolo rettangolare con basi in ottone brunito, top in vetro bronzo da 16 mm stratificato e bisellato. <i>Rectangular table with burnished brass finish bases, 16 mm layered bronze glass top, bevelled.</i>	EPSR300/ OB-BR	300	120	75	236	305	1,57
	EPSR360/ OB-BR	360	120	75	265	348	1,52
Tavolo ovale con basi in ottone brunito, top in vetro bronzo da 16 mm stratificato, bisellato. <i>Oval table with burnished brass finish bases, 16 mm layered bronze glass top, bevelled.</i>	EPSO300/ OB-BR	300	120	75	224	293	1,57
	EPSO360/ OB-BR	360	120	75	254	324	1,52



FINITURE
FINISHES

Base in metallo
Metal base

ottone brunito
burnished brass



metallo nuvolato
cloudy metal

Piano in vetro
Glass top

vetro trasparente
transparent glass



vetro extralight
extralight glass



vetro bronzo
bronze glass



vetro fumé
Smoked glass